

## Technical Bulletin N°06

REFERENCE BT\_2017\_FR20\_06\_UK

DATE 2017-04-21

SUBJECT Actuator stop screw check + tape on GPS antenna

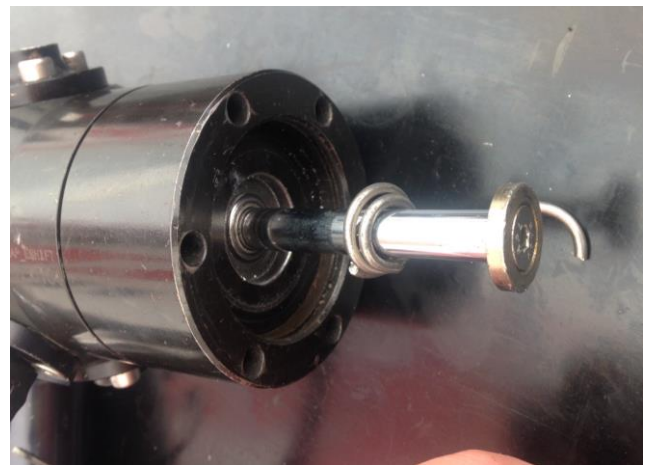
PARTS Gearbox actuator – GPS antenna

### 1. Actuator stop screw check - Monza F.R. EURO CUP EVENT

Renault Sport Racing asks you to check the gearbox actuator axle stop screw and the return spring. In case you will not find any Loctite® on the stop screw, please apply it.

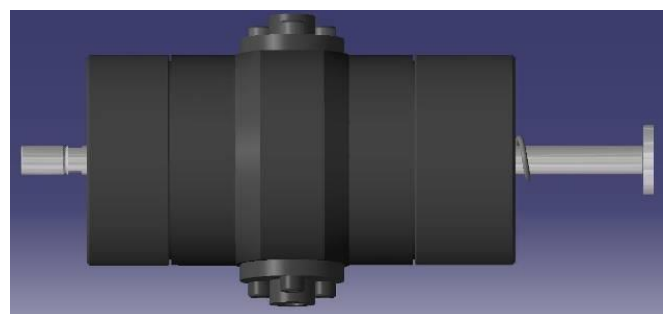


*Axle stop screw untighten: no Loctite on.*



*Spring broken*

In order to check it, please remove the circlip and then the rear housing.



### 2. .GPS Antenna

Renault Sport Racing allow you to place over the GPS antenna tape in order to maintain it in its housing.

Renault Sport Racing  
Vehicle Design Department